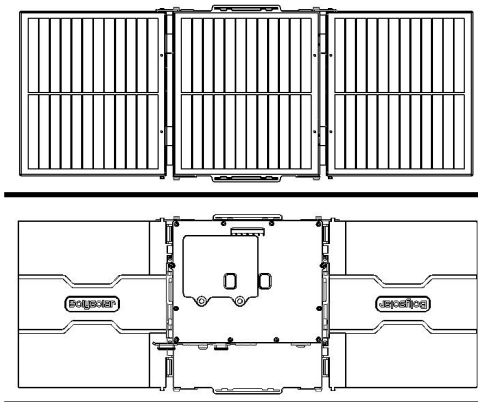


# User Manual



**BOLY**

Version 1.1

## • Cautions

- Please read the instructions before use. Improper operation may cause damage to the built-in battery and electrical components.
- Stay away from fire sources.
- Charged before use.
- Disassembling the product without permission is not permitted. Boly is not responsible for after-sales maintenance.
- Do not use a metal conductor to short out the battery.
- Do not mix old and new batteries.
- Do not mix batteries with different capacities and brands.
- Sharp objects should not be allowed to touch the solar panel.
- **Please use button top without protective plate 18650 Battery, length:67mm-69mm**

## • LED Indicators

1. The single LED indicator will show one of two colors:
  - Red indicates charging
  - Green indicates charging is completed
  - No light Indicates no charge
2. The four LED indicators show battery capacity.

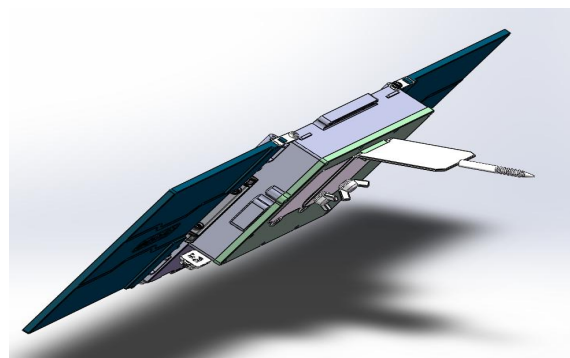
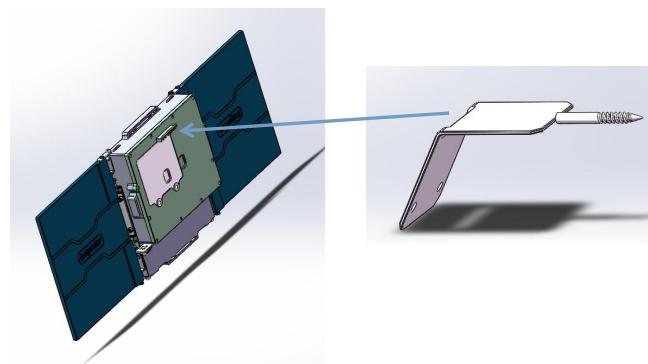
| # of the LED shown | one  | two     | three   | four |
|--------------------|------|---------|---------|------|
| Battery Capacity   | <25% | 25%-50% | 50%-75% | >75% |

**Note: Press the button to check the battery capacity.**

## • Installing

When using this product in an outdoor environment, please install the solar charger as follows:

- a. Buckle the bracket onto the solar power bank.
- b. Fix with 2 screws.
- c. Mount the solar power bank on the stump or tree with belt and brackets
- d. Open the two solar panels to form a horizontal line towards the sun;



## • Technical Specifications

|                       |  |
|-----------------------|--|
| Dimension             | 186mm *213mm *65mm   |
| Power                 | 10W  |
| Output Voltage        | 12V  |
| Output Current        | 1A (max)   |
| Waterproof Rating     | IP65   |
| Working Temperature   | -20 ~ 80°C   |
| Battery               | 8x 18650 Pointed Head Batteries<br>(not included in the package) |
| Waterproof Rating     | IP66   |
| Charge Temperature    | -20 ~ 50°C   |
| Discharge Temperature | -20 ~ 60°C   |

|                         |               |
|-------------------------|---------------|
| Circuit Protection      | Short Circuit |
| Security Authentication | FCC,CE, RoHS  |

## ● Accessories

| Part Name        | Quantity |
|------------------|----------|
| Solar power bank | 1        |
| Product manual   | 1        |
| DC Cable         | 2        |
| Mounting bracket | 1        |
| Belt             | 1        |

## ● Abandonment Cautions



Ensure the correct disposal of this product. This marking indicates that this product should not be disposed with other household wastes throughout the EU. To prevent possible harm to the environment or human health from uncontrolled waste disposal, recycle product responsibly to promote sustainable reuse of resources. To return your used device, please use the return and collection systems, or contact the retailer where the product was purchased. They can take this product for environmentally safe recycling.